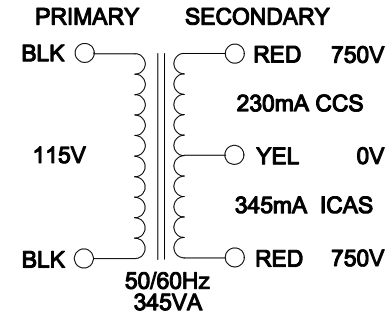
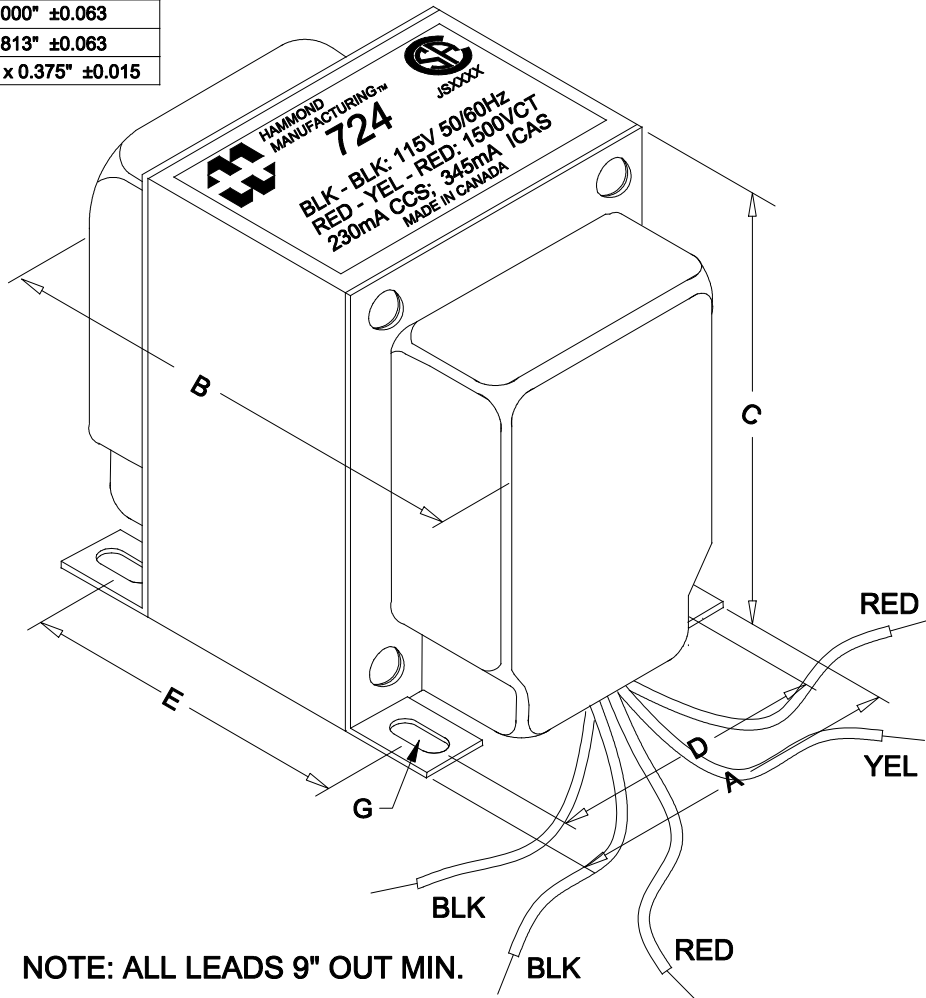


DIMENSIONS:	
A	3.750" ±0.063
B	5.000" ±0.125
C	4.563" ±0.063
D	3.000" ±0.063
E	3.813" ±0.063
G	0.203" x 0.375" ±0.015



ELECTRICAL DATA:		
TESTS	CONDITIONS	ACCEPTANCE CRITERIA
Iex	@ 115V, 60Hz, BLK - BLK	265mA Max.
Sec. N.L.V	@ 115V, 60Hz, BLK - BLK	
	RED - RED =	1594.7V ±2%
	RED - RED/YEL = RED/YEL - RED =	797.4V ±2%
DCR	@ 20°C, BLK - BLK =	0.754 Ω ±20%
	@ 20°C, RED - RED =	138.5 Ω ±20%
HIPOT	PRIMARY - SECONDARY	3500V, 60Hz, 1 SEC

REV.#	REVISION	DATE	HAMMOND ELECTRONIC DIVISION		
0	RELEASED.	C.I. 12/05/17	52 RANKIN PLACE, WATERLOO, ONTARIO, N2J 3Z5		
			PH # (519) 886-6181 FAX # (519) 886-9540		
			DWG. BY: C. ILIE	CHK'D BY:	TITLE: PLATE TRANSFORMER
			DATE: 12/05/17	APP'D. BY:	DWG. NO. 724
				DIMENSIONS: IN(X) MM()	