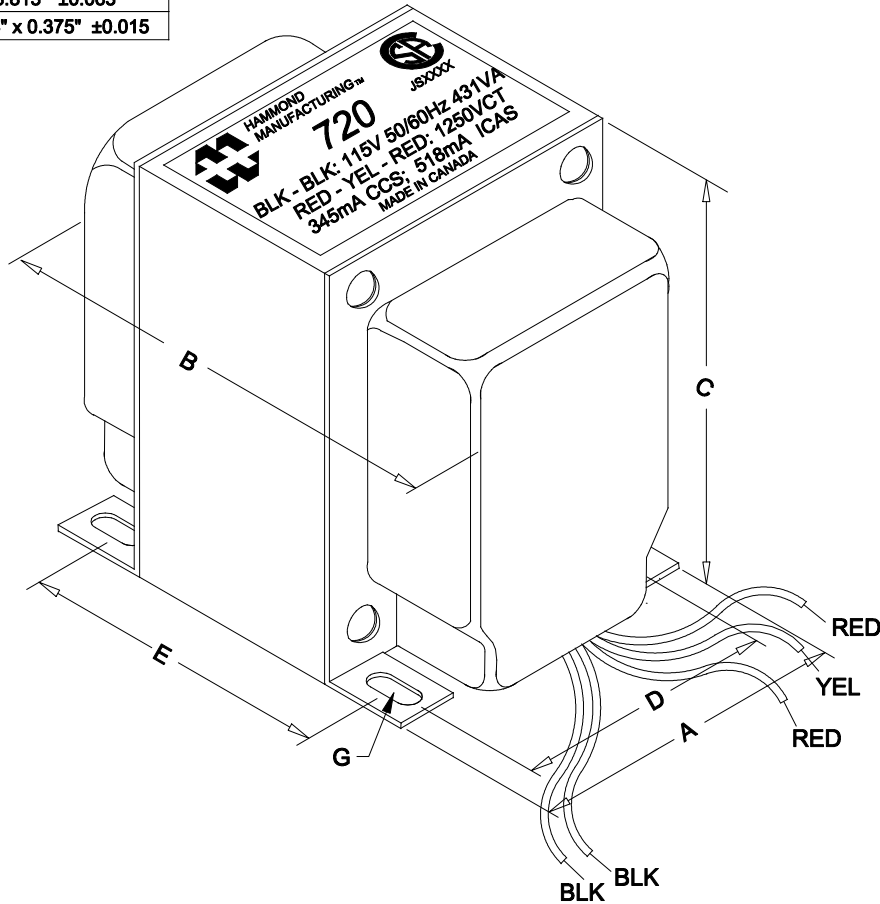
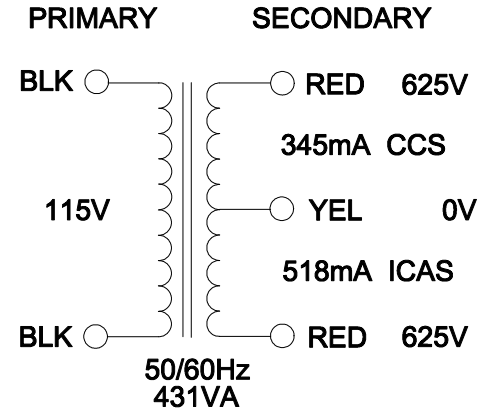


DIMENSIONS:	
A	3.750" ±0.063
B	4.936" ±0.125
C	4.530" ±0.063
D	3.000" ±0.063
E	3.813" ±0.063
G	0.203" x 0.375" ±0.015



NOTE: ALL LEADS 9" OUT MIN.



ELECTRICAL DATA:		
TESTS	CONDITIONS	ACCEPTANCE CRITERIA
I _{ex}	@ 115V, 60Hz, WHT - BLK	540mA Max.
Sec. N.L.V	@ 115V, 60Hz, WHT - BLK	
	RED - RED =	1292.6V ±2%
	RED - RED/YEL = RED/YEL - RED =	646.3V ±2%
DCR	@ 20°C, BLK - BLK =	0.408 Ω ±20%
	@ 20°C, RED - RED =	58.67 Ω ±20%
HIPOT	PRIMARY - SECONDARY	4200V, 60Hz, 1 SEC

REV.#	REVISION	DATE	HAMMOND ELECTRONIC DIVISION		
0	RELEASED.	C.I. 10/16/23	52 RANKIN PLACE, WATERLOO, ONTARIO, N2J 3Z5		
			PH # (519) 886-6181		
			FAX # (519) 886-9540		
			DWG. BY: C. ILIE	CHK'D BY:	TITLE: PLATE TRANSFORMER
			DATE: 10/16/23	APP'D. BY:	DWG. NO. 720
				DIMENSIONS: IN(X) MM ()	